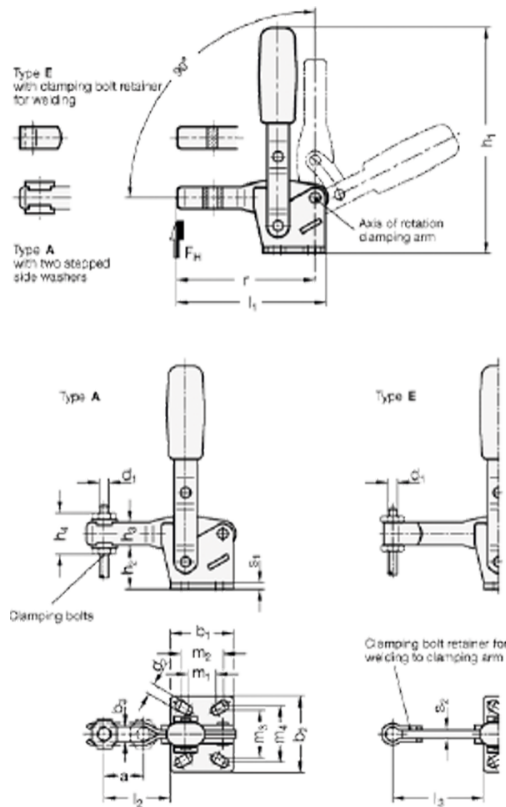


Article number: 2081075ANI

Description: E+G Klee vertical clamp, stainless steel
GN 810-75-A-NI

Measures



a = 20	h3 = 11	m4 = 24
b1 = 29	h4 = 21	r = 62.5
b2 = 34	Holding force N = 900	s1 = 2
b3 = 5.5	l1 = 66.5	Size = 75
d1 = M5	l2 = 31.5	
d2 = 4.5	m1 = 15	
h1 = 98	m2 = 16	
h2 = 20.5	m3 = 24	